



US006209147B1

(12) **United States Patent**  
**Wheaton**

(10) **Patent No.:** **US 6,209,147 B1**  
(45) **Date of Patent:** **Apr. 3, 2001**

(54) **UNDERWATER ATTACHMENT SYSTEM**

(76) **Inventor:** **Michael David Wheaton**, 8712  
Summer Point Dr., Elk Grove, CA (US)  
95624

(\*) **Notice:** Subject to any disclaimer, the term of this patent is extended or adjusted under 35 U.S.C. 154(b) by 0 days.

(21) **Appl. No.:** **09/224,418**

(22) **Filed:** **Dec. 31, 1998**

(51) **Int. Cl.<sup>7</sup>** ..... **E04H 4/00**  
(52) **U.S. Cl.** ..... **4/496; 248/534**  
(58) **Field of Search** ..... 248/501, 519,  
248/530, 534, 154, 156; 4/495, 538, 680,  
686, 695, 496, 494, 506; 108/42, 50.12,  
150; 473/466, 479, 480, 481, 482, 483,  
484, 485, 486, 487, 488, 489, FOR 100,  
FOR 101; 297/174, 173; 52/296, 297, 298,  
109.7, 704; 403/349

(56) **References Cited**

**U.S. PATENT DOCUMENTS**

|           |   |         |                 |         |
|-----------|---|---------|-----------------|---------|
| 3,796,273 | * | 3/1974  | Rininger        | 175/7   |
| 4,353,659 | * | 10/1982 | Comte           | 403/24  |
| 4,539,629 | * | 9/1985  | Poppenheimer    | 362/267 |
| 4,776,046 | * | 10/1988 | Newberry et al. | 4/541   |
| 5,040,251 | * | 8/1991  | Hanford         | 4/496   |
| 5,316,315 | * | 5/1994  | Roark, Jr.      | 273/411 |

5,383,644 \* 1/1995 Huse ..... 248/523  
5,465,677 \* 11/1995 Alter ..... 114/230  
5,860,171 \* 1/1999 Hicks ..... 4/496

\* cited by examiner

*Primary Examiner*—Steven O. Douglas

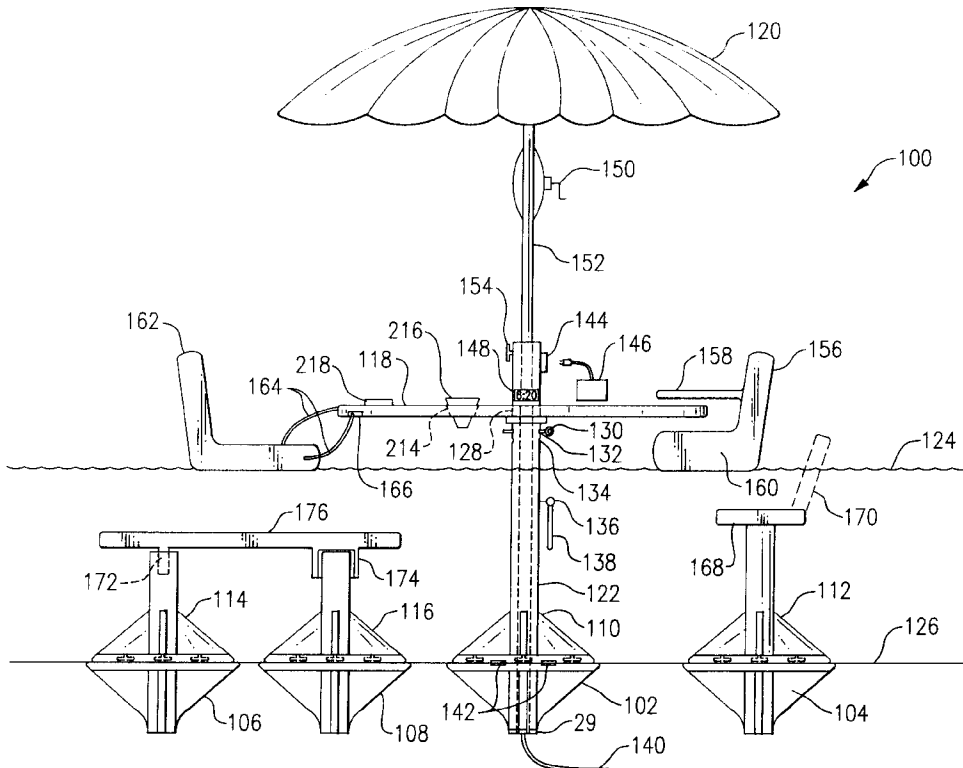
*Assistant Examiner*—Peter deVore

(74) *Attorney, Agent, or Firm*—Risto A. Rinne, Jr.

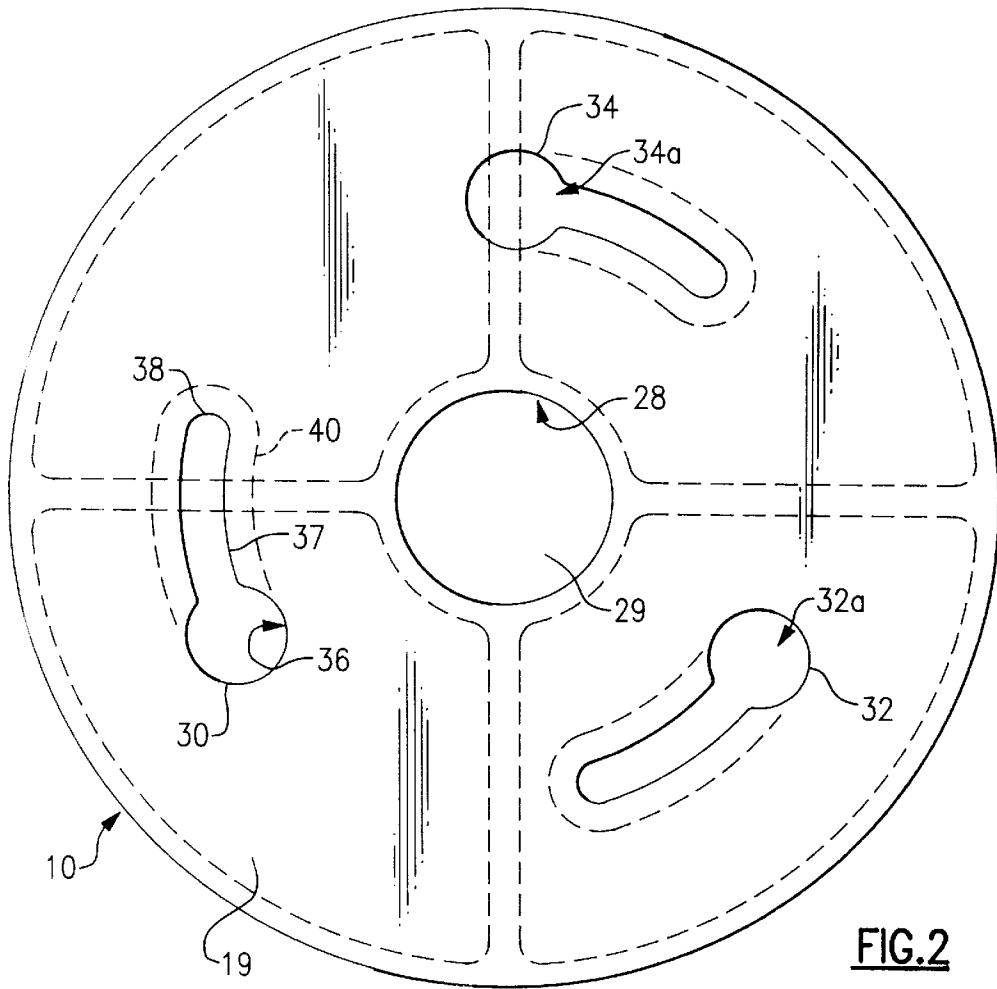
(57) **ABSTRACT**

A system for attaching accessories to a base structure that is disposed underwater in pools, spas, hot tubs and the like is described as including an upright pedestal support assembly that is detachably-attachable with respect to the base by a twist-lock "bayonet" type of a mounting system. This permits the pedestal support assembly to be attached to the base and removed therefrom as desired. The base structure remains permanently attached to the surrounding structures that are disposed underwater at the bottom or sides thereof. The surrounding structures are often formed of gunite. The base includes methods of anchoring it in place and of reinforcing it to the surrounding structures. Various devices are described that attach to the pedestal support assembly and include tables, umbrellas, stools, benches, basketball hoops and backboards, thermometers, and the like. Some of these devices are detachably-attachable to the same pedestal support assembly while others require their own pedestal support assembly. Together an underwater attachment system is described that enhances enjoyment and utility of aquatic areas.

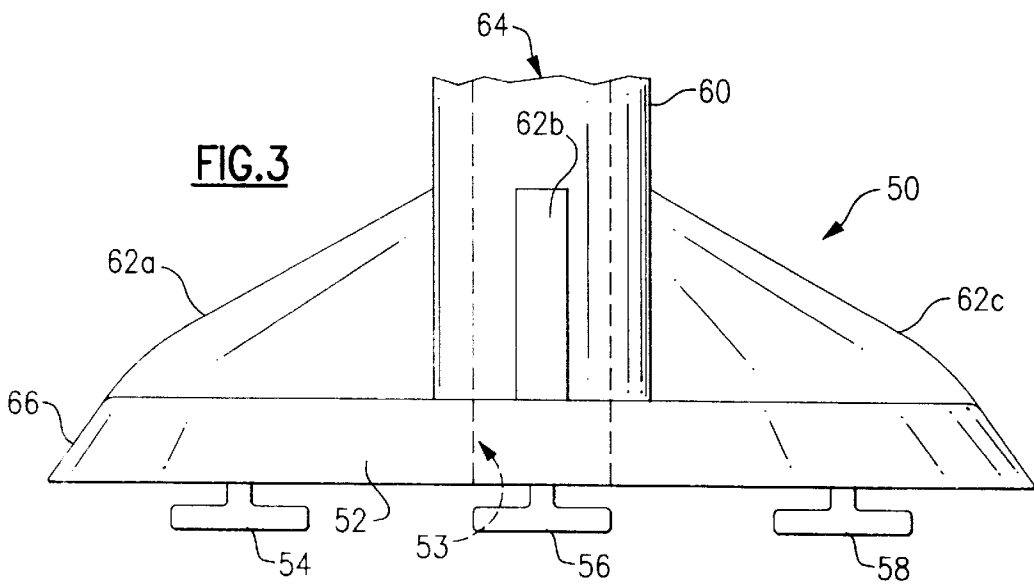
**22 Claims, 5 Drawing Sheets**







**FIG. 2**



**FIG. 3**

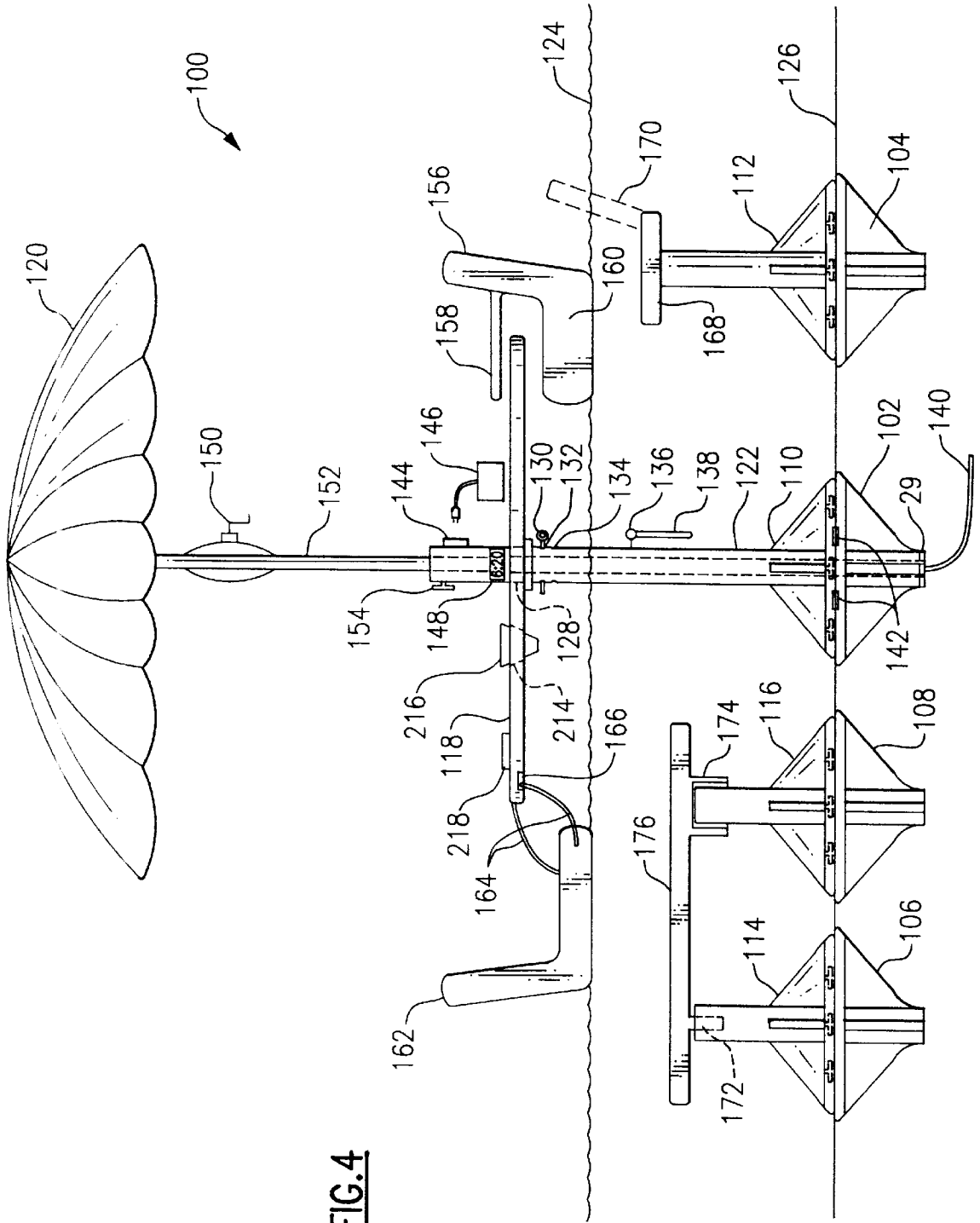
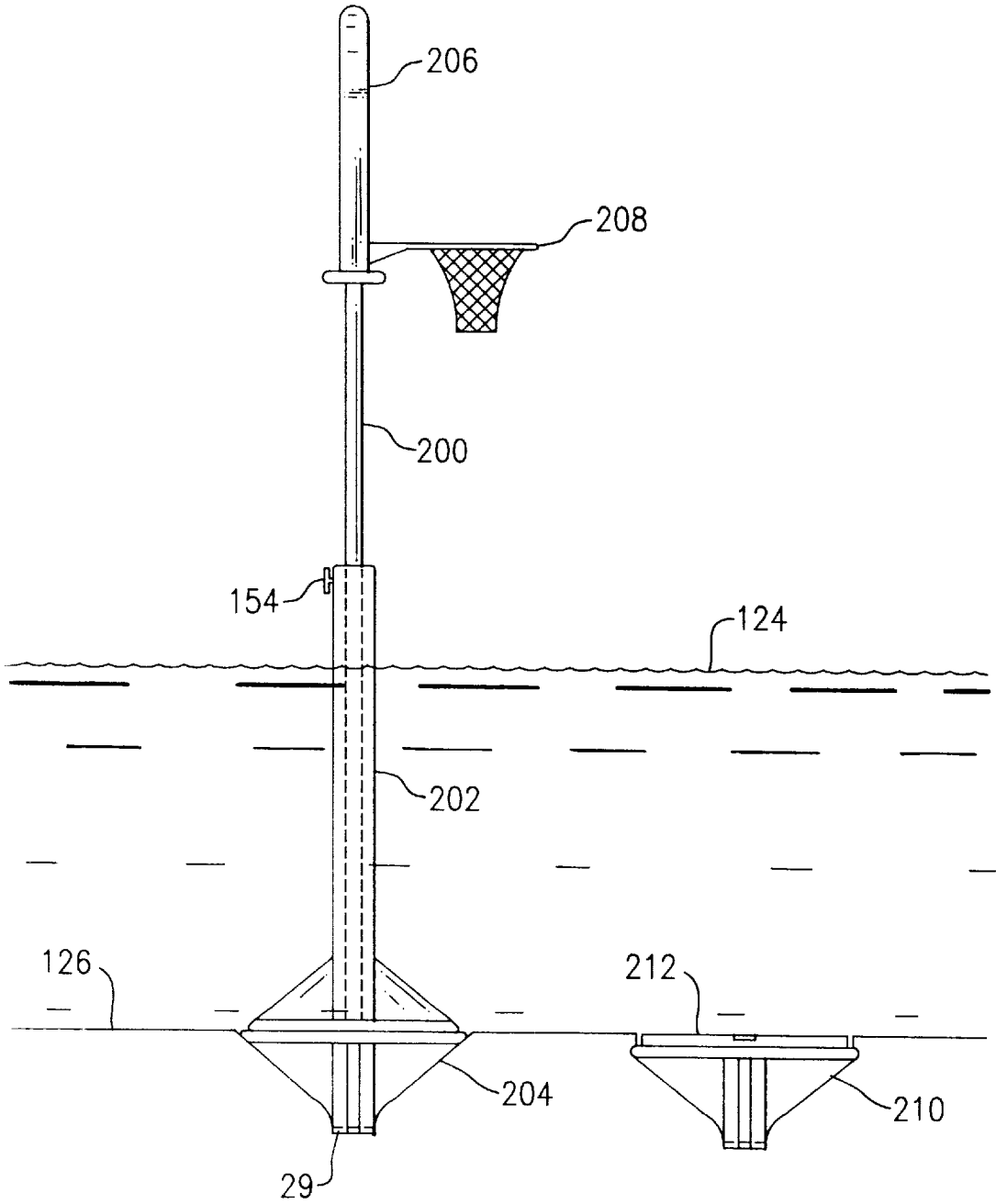
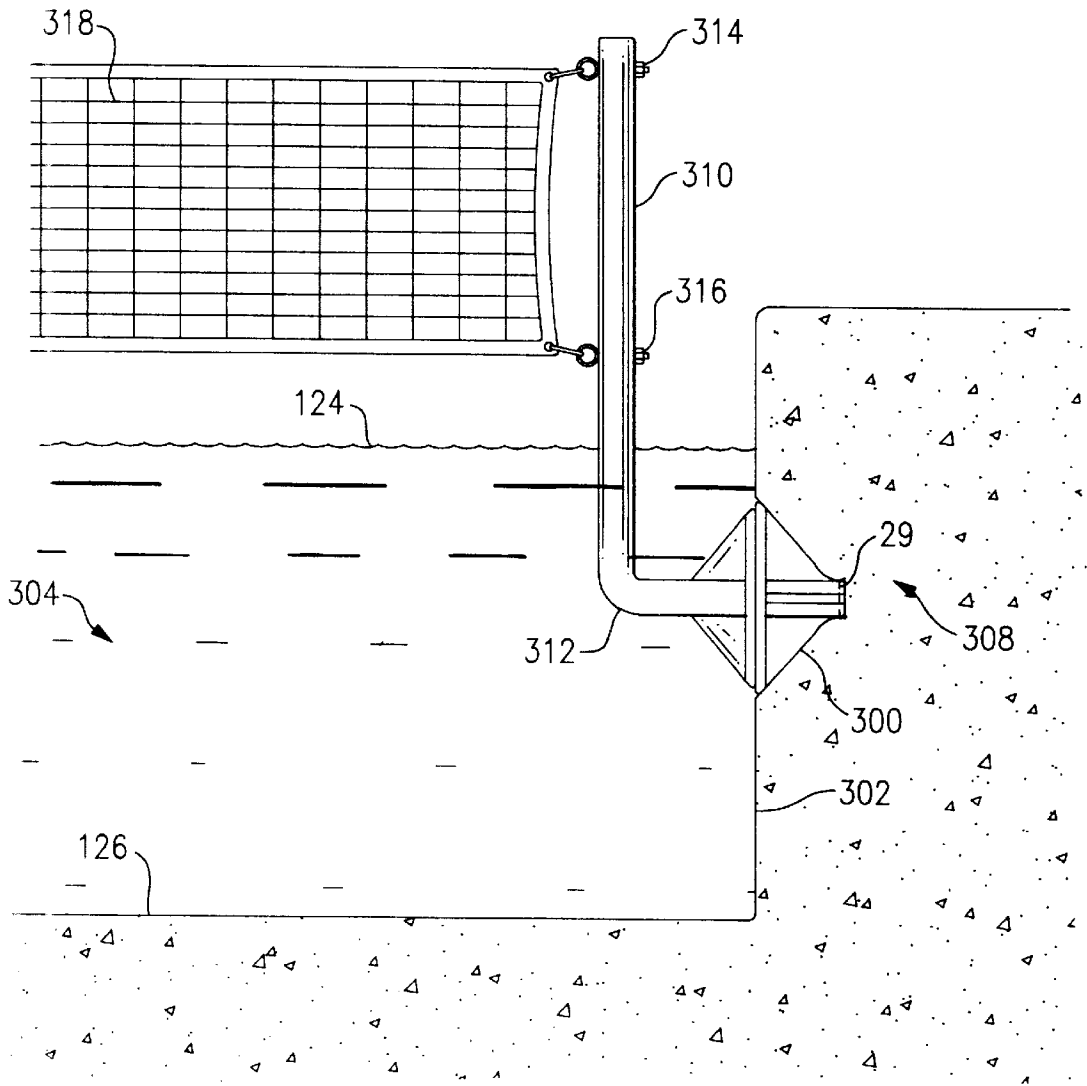


FIG. 4



**FIG.5**



**FIG.6**

**UNDERWATER ATTACHMENT SYSTEM****BACKGROUND OF THE INVENTION****1. Field of the Invention**

The present invention, in general relates to swimming pool accessories and, more particularly, to a system for interchangeably attaching umbrellas, tables, stools, benches, games, and other accessories to a base structure that is disposed underwater.

When lounging in a swimming pool or a hot tub an umbrella that is attached underwater and which extends above the surface of the water would produce shade and is therefore, desirable. A table that is disposed above the water surface would also be useful for serving food and drinks and even for reading. A bench or stool that is slightly submerged upon which one could sit would similarly also be valuable. It would also be desirable to be able to attach a game, such as a pole supporting a backstop and hoop so that a type of basketball could be played while in the pool. The ability to detach any of the above accessories to provide an open aquatic area or to be able to substitute other accessories would also be especially desirable.

Accordingly there exists today a need for an underwater attachment system that includes a base underneath the water to which a variety of objects such as are mentioned hereinbefore and hereinafter are detachably-attachable.

Clearly, such a system would be useful and desirable.

**2. Description of Prior Art**

Underwater attachments for devices such as umbrellas or tables are, in general, known. However, these types of devices, once installed, are permanent. They do not permit removal of the umbrella or table for more open use of the area nor do they permit the interchange of other types of devices. For example, it is not possible to remove the umbrella and substitute in its place a basketball post.

While the structural arrangements of the above described devices, at first appearance, have similarities with the present invention, they differ in material respects. These differences, which will be described in more detail hereinafter, are essential for the effective use of the invention and which admit of the advantages that are not available with the prior devices.

**OBJECTS AND SUMMARY OF THE INVENTION**

It is an object of the present invention to provide an underwater attachment system that can be used with a swimming pool.

It is also an important object of the invention to provide an underwater attachment system that can be used with a hot tub.

Another object of the invention is to provide an underwater attachment system that includes a base disposed underneath the water that can receive and support an accessory that is attached thereto.

Still another object of the invention is to provide an underwater attachment system that includes a base adapted to detachably receive an accessory that is useful in an aquatic environment.

Still yet another object of the invention is to provide an underwater attachment system that can be used to attach a support pedestal to a base.

Yet another important object of the invention is to provide an underwater attachment system that includes a support pedestal, detachably attachable to an underwater base.

Still yet another important object of the invention is to provide an underwater attachment system that can provide a table.

One other important object of the invention is to provide an underwater attachment system that can provide an umbrella. one further important object of the invention is to provide an underwater attachment system that can provide a bench.

One still further important object of the invention is to provide an underwater attachment system that can provide a stool.

Yet one more important object of the invention is to provide an underwater attachment system that can provide a support for a game.

One still further especially important object of the invention is to provide an underwater attachment system that includes a base having a twist-on and twist-off type of a mounting system for attaching and detaching a support pedestal.

Briefly, an underwater attachment system for use in an aquatic environment that is constructed in accordance with the principles of the present invention has a base attached to a structure under the water with its top nearly flush with the top surface of the structure to which it is attached. The base includes a method to detachably-attach a support pedestal thereto. The support pedestal is adapted to provide support for a variety of devices that are attached thereto. For example, it can provide support for an umbrella (to provide shade) or for a table, or for both simultaneously. The support pedestal can also provide support for a stool to sit on or, when used in concert with at least one additional base, a bench. It can be used to support any desired device, including a variety of games. For example the support pedestal when attached to the base can be used to support a basketball hoop and backboard. As the support pedestal is detachable apart from the base, it can be removed to provide an open area or it can be replaced when desired by another support pedestal adapted to provide an alternative benefit. According to a preferred embodiment, the support pedestal is adapted to twist on or off from the base and uses a type of "bayonet" mounting system. The base is attached to the bottom of the structure and the pedestal support is detachably-attachable thereto or a modified base is attached to the side of the structure and a modified pedestal support is detachably-attachable thereto.

**BRIEF DESCRIPTION OF THE DRAWINGS**

FIG. 1 is a side view of a base installed underwater.

FIG. 2 is a view as shown in FIG. 1 as seen along the lines 2—2 therein.

FIG. 3 is a side view of a portion of a pedestal support adapted to cooperate with the base of FIGS. 1 and 2.

FIG. 4 is a side view of the underwater attachment system at a pool showing several preferred embodiments of the system.

FIG. 5 is a side view of a recreational use of the system.

FIG. 6 is a side view of the underwater attachment system with a modified base attached to the side wall of a pool and a modified pedestal support attached thereto.

**DETAILED DESCRIPTION OF THE INVENTION**

Referring to FIG. 1 is shown, a base, identified in general by the reference numeral 10. Water 12 is above the base 10.

A surface **14**, which forms the bottom of a pool, hot tub, or similar structure is disposed under the water **12** at a predetermined depth.

The surface **14** is typically the top of a structure that is formed of gunite, identified in general by the reference numeral **16**. Gunite **16** is a type of air-blown concrete that is well known in the swimming pool construction arts and, as shown, surrounds the base **10**.

The base **10** includes a plurality of holes **18 a-f**. The holes **18 a-f** are used to better secure the base **10** to the gunite **16** as during installation when the gunite **16** fills in certain of the holes **18b**, **18d**, **18e**, and **18f**, and which therefore better secures the base **10** to the gunite **16** when it is placed so that a top **19** is nearly flush with the surface **14**. Two of the holes **18a** and **18c** have a reinforcing bar **20a** and **20b** passing through them and into the gunite **16**. The reinforcing bars **20a**, **20b** are also useful in securing the base **10** in the proper position by fastening them to other reinforcing bars (not shown) that are dispersed throughout the area that is to be filled with the gunite **16**.

Another way to better secure the base **10** to the gunite **16** is by the use of a plurality of protrusions **22a** **22b** that are formed as part of the base **10**.

The base **10** includes the top **19**, and a plurality of tapered members **24a**, **24b**, and **24c** that are wider where they are attached to the top **19** and narrower at an opposite or bottom end. A fourth tapered member (not shown in this drawing) is disposed on the side opposite the second tapered member **24b**.

A center cylindrical member **26** extends from the top **19** to the bottom of the tapered members **24 a-c**. The tapered members **24 a-c** are attached to the center cylindrical member **26** along its entire length. The tapered members **24 a-c** each function as a gusset intermediate the center cylindrical member **26** and the top **19** and add strength to the overall assembly (as well as in helping to secure the base **10** to the surrounding gunite **16**).

The center cylindrical member **26** includes a hollow interior **28** that extends from the top **19** to a bottom plate **29** that forms a seal at the bottom of the base **10**.

A first arcuate slot **30** and a second arcuate slot **32** (a third arcuate slot is not shown in this drawing) are provided in the top **19**.

Referring now to FIG. 2, the third arcuate slot **34** is shown along with the first and second arcuate slots **30**, **32**. They are each constructed so as to be the same and so the following detail of construction for the first arcuate slot **30** applies to all of them.

The first arcuate slot **30** includes a large circular opening **36** at one end that is open to the top **19**. A narrower curved opening **37** extends from the circular opening **36** to its point of termination which is called a first stop **38**. An interior slot **40** matches the curvature of the curved opening **37** and is as wide as is the large circular opening **36**. The first arcuate slot **30** including the circular opening **36**, the narrower curved opening **37** and the interior slot **40** are contained within the top **19**.

The second and third arcuate slots **32**, **34** are similarly constructed and are spaced equidistant with respect to each other. The first second and third arcuate slots **30**, **32**, **34** are used to form a mounting system to attach a pedestal support **50** (see FIG. 3) thereto. This type of a mounting system is known as a "bayonet" mount and is described in greater detail hereinafter.

Referring now to FIG. 3, the pedestal support **50** includes a circular base plate **52** to which are attached a first T-shaped

member **54**, a second T-shaped member **56**, and a third T-shaped member **58**.

An upright pedestal **60** extends upward at a right angle with respect to the plane defined by the base plate **52**. A plurality of gusset plates **62 a,b,c** provide strength to the upright pedestal **60** and are disposed intermediate the upright pedestal **60** and the base plate **52**, to which they are each attached.

The upright pedestal **60** includes a hollow interior opening **64** that extends longitudinally along the length of the upright pedestal **60** and which extends through the base plate **52**. The base plate **52** includes a tapered edge **66** around the circumference thereof that includes an angled surface so that the base plate **52** has a greater diameter at the bottom and a lesser diameter at the top (closer to the upright pedestal **60**). The tapered edge **66** prevents the toes of a user (not shown) from being stubbed by bumping up against what would otherwise be a flat edge.

In use, the pedestal support **50** is attached to the base **10** during use and is removable therefrom as desired. To attach the pedestal support **50** to the base **10**, it is held above the base **10** and lowered so that one of the T-shaped members **54**, **56**, **58** aligns with and enters into the large circular opening **36** of the first arcuate slot **30** and the remaining two of the three T-shaped members **54**, **56**, **58** align with and enter into a corresponding large circular opening **32a** of the second arcuate slot **32** and a large circular opening **34a** of the third arcuate slot **34**. The pedestal support **50** is then rotated clockwise to move the T-shaped member (either **54**, **56**, or **58**) along the narrower curved opening **37** until it reaches the first stop **38**. The remaining two T-shaped members similarly rotate within the second and the third arcuate slots **32**, **34** thereby securing the pedestal support **50** in a position of cooperation adjacent the base **10**. This type of a mounting, as mentioned hereinabove, is sometimes called a "bayonet" mount. To remove the pedestal support **50** from the base **10** the procedure is merely reversed by rotating the pedestal support **50** fully counterclockwise and lifting it off of the base **10**. When the pedestal support **50** is attached to the base **10** as described hereinabove a tight secure alignment is achieved that positively holds the pedestal support **50** in an upright orientation.

The base **10** and the pedestal support **50** are formed of any desired material. Fiberglass, plastics, composites like graphite, and even certain metals are all candidate materials. The selection of the material used for the base **10** and the pedestal support **50** (as well as all remaining component parts as are discussed in greater detail hereinbelow) is based upon various considerations involving manufacturing costs and ease, aesthetics, durability, and weight to name just a few. Another important consideration is the load that they will be subjected to. For example, a table **118** (FIG. 4) is shown attached to the upright pedestal **60** of the pedestal support **50** and is discussed in greater detail hereinbelow. If the table **100** is large and heavy then a stronger base **10** and pedestal support **50** will be required. This obviously affects the choice of materials including the schedule (thickness of the material) that is selected.

If desired the top **19** of the base **10** can be set slightly below the plane of the surface **14** so that when the base plate **52** is attached to the base **10** the top of the base plate **52** is flush with the plane of the surface **14**. In this instance the tapered edge **66** can be eliminated if desired as there is no danger that the toes of the user can impact upon it.

Thus far the construction and the cooperative use of the pedestal support **50** and the base **10** have been discussed.



The pedestal support **50** provides a structure that serves as a platform for attaching numerous accessories that improve the aquatic environment. As such they form the essential building blocks of the underwater attachment system.

Referring now also to FIG. 4, is shown an underwater attachment system, identified in general by the reference numeral **100** in use at an aquatic environment such as a swimming pool, hot tub, spa, or the like.

A first base **102**, a second base **104**, a third base **106**, and a fourth base **108** secure a first pedestal support **110**, a second pedestal support **112**, a third pedestal support **114**, and a fourth pedestal support **116** thereto respectively. Each of the bases **102–108** are identical and so any of the pedestal supports **110–116** could be placed in any of them.

If for some special reason this were not desired, then certain of the bases could be made of a different size or with a different pattern of T-shaped members (see above) and arcuate slots (see above) that would allow only certain of the pedestal supports **110–116** to cooperate with them. For example, the first pedestal support **110** is used to provide support for a table **118** and an umbrella **120**. If it were important to ensure that this particular pedestal support (the first pedestal support **110**) could only cooperate with the first base **102**, then a modification to both, as described above, is required.

In general, they are all identical so that the vast majority of pedestal supports **110–116** cooperate with the vast majority of bases **102–108**, thereby permitting the maximum amount of flexibility in setup and use of the system **100**.

The first pedestal support **110** includes a first upright pedestal **122** that extends to a predetermined distance above a water level **124**. All of the bases **102–108**, including the first base **102**, are anchored to the structure (typically formed of gunite, however, not so limited) under a floor level **126** of the pool.

The table **118** may be any desired size or shape, formed of any desired material. It can be attached to the first upright pedestal **122** so that it is an integral part of it, although a preferred embodiment is as shown where the table **118** includes an opening **128** in the center through which the first upright pedestal **122** passes.

A pin **130** passes through a first opening **132** through the first upright pedestal **122** and upon which the table **118** is supported. A second opening **134** is provided to adjust the height of the table **118**. Additional openings (not shown) are included, as desired, to further adjust the height of the table **118**.

An optional thermometer hook **136** is used to suspend a thermometer **138** in the water. An optional cable **140** is used to supply electrical power to the first base **102** and to a pair of contacts **142** that are attached to the first base **102** and to the first pedestal support **110** so as to cooperate with each other when the first pedestal support **110** is properly attached to the first base **102**.

Electrical power is conducted up through the first upright pedestal **122** to an electrical outlet **144** where it is used by an electrical device **146**. For safety reasons, low voltage direct current, such as 12 volts DC, is typically used.

It is noted that all of the features disclosed for use with any of the pedestal supports **110–116** are optional devices that are included at the discretion of the manufacturer in accordance with the individual needs of each consumer. As such, the use of electrical power is also optional.

A battery powered digital clock **148** is shown attached to the first upright pedestal **122** above the table **118** that does

not require electrical power being supplied thereto through the cable **140**. As such any battery operated device or appliance (not shown) may be similarly used with the system **100**.

The umbrella **120** includes a crank **150** useful to tilt the umbrella **120** and/or to open and collapse it, both of which are well known in the construction of umbrellas generally.

The umbrella **120** includes a pole **152** that extends down from the top of the umbrella **120** as far as desired. As shown, the pole **152** extends down into and entirely through the hollow interior opening (as exemplified by reference numeral **64** in FIG. 3) of the first upright pedestal **122**, passing through an aperture (as exemplified by reference numeral **53** in FIG. 3) in the circular base plate (as exemplified by reference numeral **52** in FIG. 3) and through the hollow interior (as exemplified by reference numeral **28** in FIG. 2) of the center cylindrical member (as exemplified by reference numeral **26** in FIG. 2) of the first base **102** until contact with the bottom plate **29** occurs.

Having the pole **152** fit into the first upright pedestal **122** provides two benefits. The first, and perhaps the most important, is that the extra length of the pole **152** allows for the umbrella **120** to be positioned at whatever height (elevation) is desired.

The umbrella **120** is maintained at the desired elevation by tightening a wing-nut **154** that passes through a threaded opening disposed on one side of the upright pedestal **122** until it (the wing-nut **154**) bears against the pole **152** and secures it in position. To remove the umbrella **120**, the wing-nut **154** is loosened and the pole **152** is lifted to remove it from the first upright pedestal **122**.

Secondly, the pole **152** supplies additional strength to the first pedestal support **110** assembly when it is disposed therein. When it is allowed to pass all the way to the first base **102**, maximum support for the umbrella **120** is provided. This is an important consideration because when, for example, the wind blows there is considerable side-loading of the umbrella and therefore of the first pedestal support **110** assembly that occurs.

Attached to an edge of the table **118** is an infant seat **156** that includes a pair of arms **158** that are disposed on the top of the plane of the table **118** and a pair of sides **160** that are disposed under the table **118** and which, together, maintain the infant seat **156** in a position of cooperation with the table **118**. An infant (not shown) is then placed in or removed from the infant seat from above. This provides a way to safely secure the infant in position in an aquatic environment thereby alleviating a certain amount of risk and attention that would otherwise have to be paid to the infant.

A floating chair **162** is tethered to the table **118** by a pair of tethers **164**, each of which are attached to the table **118** by a hook and loop fastener **166** (as is sold under the tradename VELCRO). The floating chair **162** is intended to represent any device that floats including floating lounge chairs and floating types of aquatic toys. The benefit thus provided is that the system **100** functions as an aquatic center of interest where users can congregate to enjoy the aquatic environment.

A stool **168** is attached to the top of the second pedestal support **112** and provides a seat that is disposed under the water level **124**. A back rest **170** is shown in dashed lines to indicate a possible modification to the stool **168**. When the back rest **170** is included with the stool **168** it is then more accurately referred to as being a chair. The second pedestal support **112** is clearly adapted to support either the stool **168** or the chair, as desired.

The third base **106** is disposed a predetermined distance apart from the fourth base **108** so that the third and fourth

pedestal supports **114**, **116** are properly positioned to receive a pin **172** that enters into the top of the third pedestal support **114** and a sleeve **174** that passes over the top of the fourth pedestal support **116**. The pin **172** and the sleeve **174** are attached to the bottom of a bench **176**. The bench **176** extends from the third pedestal support **114** to the fourth pedestal support **116** and, if desired, a small amount past them.

If desired a second pin (not shown) or a second sleeve (not shown) could be used as well, however this does not provide any method to ensure that the bench **176** is properly attached. If the bench **176** includes a curvature that matches that of, the table **118** for example, it may be desirable to guide a user in its proper installation which is quite simple. The bench **176** is merely oriented above the third and fourth pedestal supports **114**, **116** and lowered into proper position so that the pin **172** enters into the third pedestal support **114** and the sleeve **174** passes over the fourth pedestal support **116**. This of course can occur only after the third and fourth pedestal supports have been properly attached to their respective third and fourth bases **106**, **108**. Removal of the bench **176** is merely a reversal of the procedures described.

Referring now also to FIG. 5, a second pole **200** is shown entering into a fifth pedestal support assembly **202**, passing down into a fifth base **204** and extending down through the bottom of the fifth base **204** and to the bottom plate **29**. The second pole **200** extends all the way to the bottom plate **29** to achieve maximum strength and support.

A backboard **206** is attached to the top of the second pole **200** to which a basketball rim and hoop **208** are attached. The table **118**, umbrella **120**, and pole **152** (of FIG. 4) can be removed from the first pedestal assembly **110** (of FIG. 4) and the second pole **200** can be substituted in their place.

This would change the aquatic area from that of primarily a lounging, eating, and shaded area into a sport-recreational area. If the second pole **200** were to extend below the level of the first base **102** (of FIG. 4) the cable **140** would have to be routed so as not to interfere with the second pole **200**, if it were also included.

A sixth base **210** is shown with the plane of its top being disposed parallel to and slightly below the plane of the floor level **126** and a cover **212** attached thereto, the top of which is equal to the plane of the floor level **126**. This type of installation for the sixth base **210** is preferred and may be used for all embodiments as described hereinabove. The advantage is that when any of the pedestal support assemblies is removed and the cover **212** is added, a smooth surface even with the floor level **126** results. This can prevent a user (not shown) from stubbing his or her toe (not shown). The cover **212** twists on and off of the sixth base **210** as does the fifth pedestal support assembly **202**.

Of course, any number of additional bases (not shown) may be positioned where desired (such as around the table **118**) to provide for as many stools **168**, chairs, or benches **176** as desired and where desired. Similarly, any number and type of modifications can be made to provide a modified pole (not shown) or modified pedestal support assembly to satisfy any requirement. For example, a pair of modified poles could be used to support a volley ball net (not shown). The variety of possible uses for the system **100** are unlimited.

As another example, a tapered opening **214** (FIG. 4) is provided through the table **118** to permit placing a cup **216** therein. Similar improvements reflect the quality of components and the market they are intended to serve. A high end application of the table **118** would include a tiled surface **218**

of any size, pattern, or location, as desired. This might be done in such a manner so as to match (color coordinate) the appearance of the table **118** with the border tile work (not shown) of the pool or hot tub in which it is placed.

Another example of a possible modification to the cable **140** would be the addition of fiber optic cables therein to act as a high-speed optical interface. A portable computer (not shown) when used on the table **118** could benefit from such an interface. Certainly the user would enjoy working at the "office of the future" while at home and when sitting on the stool **168** under the shade of the umbrella **120**.

Referring now to FIG. 6, is shown a modified base **300** attached to a side wall **302** of a swimming pool, identified in general by the reference numeral **304**. The modified base **300** is generally constructed identical with that of the base **10**, the first base **102**, the second base **104**, the third base **106**, the fourth base **108**, and the fifth base **204** and is, instead, installed on the side wall **302** of the pool **304**.

A modified pedestal support **310** is formed similar to those types previously described except that it includes a 90 degree bend **312** and, as shown, a pair of eye bolts **314**, **316**. The eye bolts **314**, **316** hold the top and bottom of one side of a volley ball net **318**. The opposite side (not shown) of the net **318** is similarly supported by a second modified pedestal support (not shown) attached to a second modified base (not shown).

In use, when the modified pedestal support **310** is installed in the modified base **300** it is installed at a slight angle so as to properly align the T-shaped members (not shown) with the large circular openings of the arcuate slots (not shown). The modified pedestal support **310** is then rotated so the T-shaped members reach the stops (not shown). At this time a terminal portion of the modified pedestal support **310** extends vertically above the water level **124**. This allows use of the system in the side wall **302** of the pool **304**, hot tub, spa, and similar structure.

Of course any number of devices (not shown) are anticipated for use with the modified pedestal support including stools, benches, umbrellas, ladders (to climb in and out of the pool **304**), basketball hoops and backboards, and the like.

The invention has been shown, described, and illustrated in substantial detail with reference to the presently preferred embodiment. It will be understood by those skilled in this art that other and further changes and modifications may be made without departing from the spirit and scope of the invention which is defined by the claims appended hereto.

What is claimed is:

1. An underwater attachment system for use in a swimming pool or spa, comprising:

(a) a base adapted to be attached to a surface of said swimming pool or spa, said base adapted to be disposed under water; and

(b) a pedestal support including means for attaching said pedestal support to said base and for removing said pedestal support from said base wherein said means for attaching includes a twist-on and twist-off mechanism wherein said twist-on and twist-off mechanism is adapted to permit rotation of said pedestal support radially and to prevent a change axially from occurring when said pedestal support is inserted to said base and when said pedestal support is removed from said base and wherein said pedestal support is disposed in substantially a vertical orientation and extending in a direction generally away from said base.

2. The system of claim 1 wherein said twist-on and twist-off mechanism includes a bayonet type of mechanism.

9

3. The system of claim 1 wherein said pedestal support includes a table.

4. The system of claim 3 wherein said table includes means for adjusting its position with respect to said pedestal support.

5. The system of claim 3 including an infant chair, said infant chair attachable to and removable apart from said table.

6. The system of claim 3 including means for attaching a device adapted to float to said table.

7. The system of claim 6 wherein said means for attaching includes the use of a hook and loop fastener.

8. The system of claim 3 wherein said table includes a cup holder.

9. The system of claim 1 wherein said pedestal support includes an umbrella.

10. The system of claim 9 including means for adjusting the position of said umbrella with respect to said pedestal support and wherein said umbrella includes a pole and said pole is disposed in an opening provided in said pedestal support along a longitudinal length thereof and wherein said pole is adapted to move longitudinally therein and wherein said means for adjusting is adapted to secure said pole along said longitudinal length.

11. The system of claim 1 wherein said pedestal support includes means for providing a source of electrical power.

12. The system of claim 1 wherein said pedestal support includes means for securing a thermometer thereto.

13. The system of claim 1 wherein said pedestal support includes a digital clock attached thereto.

10

14. The system of claim 1 wherein said pedestal support includes a stool attached thereto.

15. The system of claim 1 wherein said pedestal support includes a chair attached thereto.

16. The system of claim 1 including a plurality of pedestal supports attached to a plurality of bases and a bench detachably-attachable to said plurality of pedestal supports.

17. The system of claim 1 including a pole adapted for use with said pedestal support, said pole including means attached thereto useful for playing a game.

18. The system of claim 17 wherein said pole includes a backboard and a hoop attached thereto adapted for playing said game while a player is disposed in the water.

19. The system of claim 1 wherein said base includes means for further securing said base to said structure.

20. The system of claim 1 wherein said base is attached to a bottom of said structure.

21. The system of claim 1 wherein said base is attached to a side of said structure.

22. The system of claim 21 wherein said pedestal support includes a modified pedestal support, said modified pedestal support including a portion that is disposed in substantially a horizontal direction and which includes a radius of approximately 90 degrees and a terminal portion that is disposed in substantially a vertical orientation and which extends in generally an upward direction.

\* \* \* \* \*