



US00D595574S

(12) **United States Design Patent**  
**Ellinghausen**

(10) **Patent No.:** **US D595,574 S**

(45) **Date of Patent:** **\*\* Jul. 7, 2009**

(54) **GRADUATED DISPENSING CAP**

(75) Inventor: **Craig W. Ellinghausen**, Wheaton, IL (US)

(73) Assignee: **Midwest Printing, Inc.**, Wheaton, IL (US)

(\*\*) Term: **14 Years**

(21) Appl. No.: **29/328,003**

(22) Filed: **Nov. 17, 2008**

**Related U.S. Application Data**

(63) Continuation of application No. 29/279,667, filed on May 4, 2007, now Pat. No. Des. 580,757.

(51) **LOC (9) Cl.** ..... **09-07**

(52) **U.S. Cl.** ..... **D9/447**

(58) **Field of Classification Search** ..... D9/733,  
D9/726, 529, 501, 503, 454, 450, 449, 447,  
D9/440, 435; D28/7; D24/224; 222/566,  
222/562, 255, 254.1, 369; 220/288, 259.3,  
220/257.1, 256.1, 254.1, 212; 215/252; D7/679,  
D7/678, 589, 414, 697

See application file for complete search history.

(56) **References Cited**

**U.S. PATENT DOCUMENTS**

D128,075 S	7/1941	Mellinger	
D148,482 S	1/1948	Pla	
D152,554 S *	2/1949	May	D19/74
D235,501 S	6/1975	Mantelet	
D235,502 S	6/1975	Mantelet	
D250,035 S *	10/1978	Kajiwara	D19/73
D251,008 S *	2/1979	Kajiwara	D19/73

D304,897 S	12/1989	Lin	
D327,015 S	6/1992	Stallings	
D345,501 S	3/1994	Prince	
D405,830 S *	2/1999	Mak	D19/73
D493,074 S *	7/2004	Brousseau et al.	D7/678

\* cited by examiner

*Primary Examiner*—Susan Bennett Hattan  
(74) *Attorney, Agent, or Firm*—McAndrews, Held & Malloy, Ltd.

(57) **CLAIM**

The ornamental design for a graduated dispensing cap, as shown and described.

**DESCRIPTION**

FIG. 1 is a perspective view of a graduated dispensing cap showing my new design;

FIG. 2 is a top plan view of the graduated dispensing cap of FIG. 1;

FIG. 3 is a front elevational view of the graduated dispensing cap of FIG. 1;

FIG. 4 is a rear elevational view of the graduated dispensing cap of FIG. 1;

FIG. 5 is a right-side elevational view of the graduated dispensing cap of FIG. 1; and,

FIG. 6 is a left-side elevational view of the graduated dispensing cap of FIG. 1.

The broken lines shown in the Figures are for the purpose of illustrating the environmental structure of the handle portion and the connector portion of the graduated dispensing cap and are not part of the claimed design.

**1 Claim, 4 Drawing Sheets**

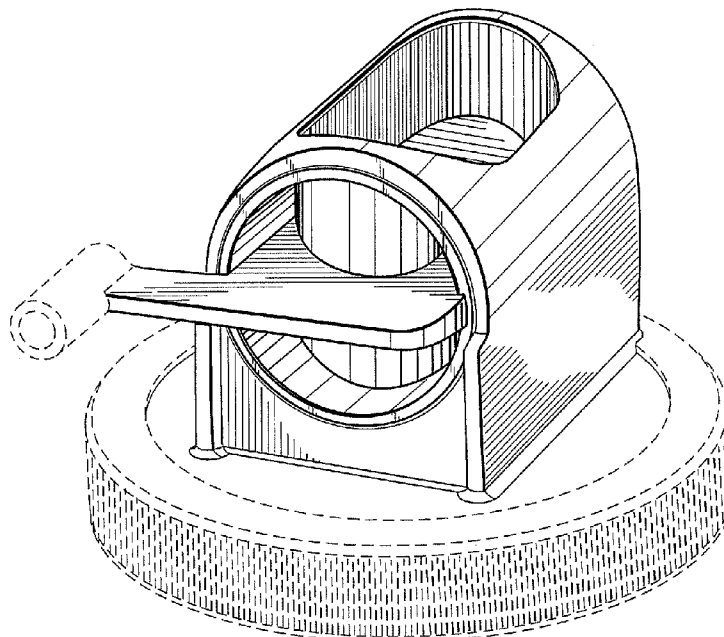


Fig. 1

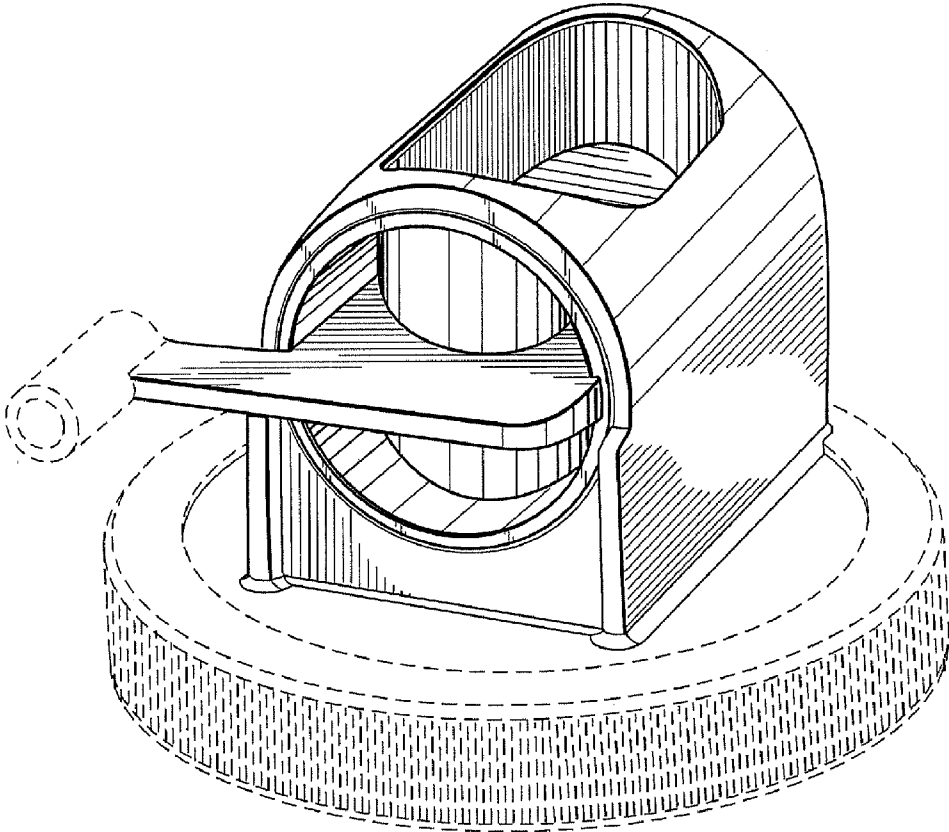


Fig. 2

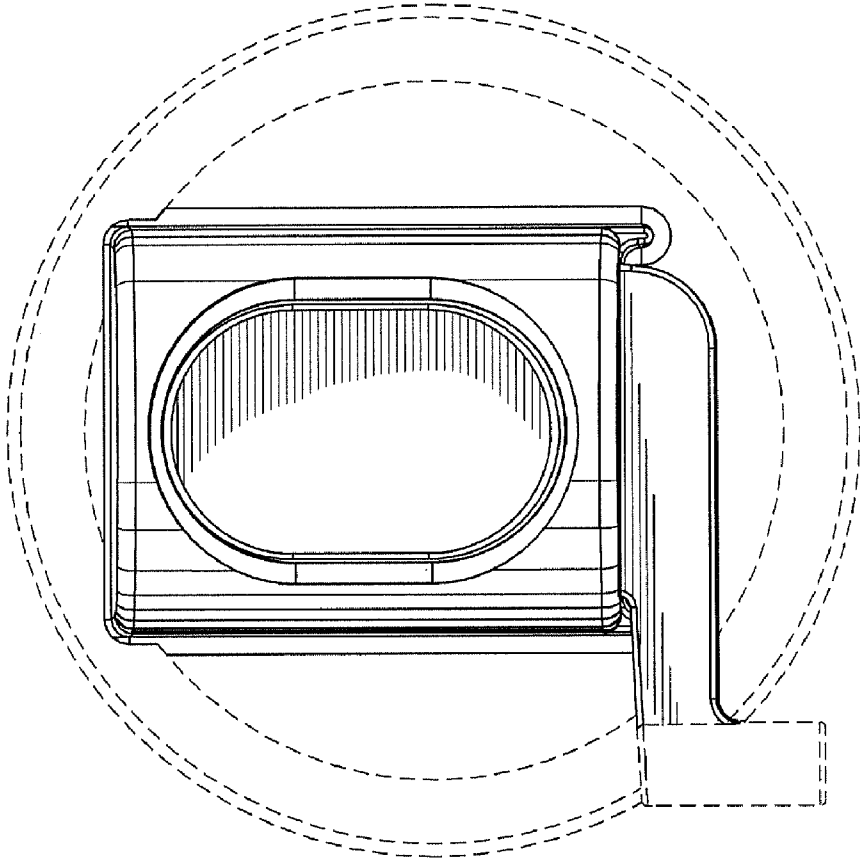


Fig. 3

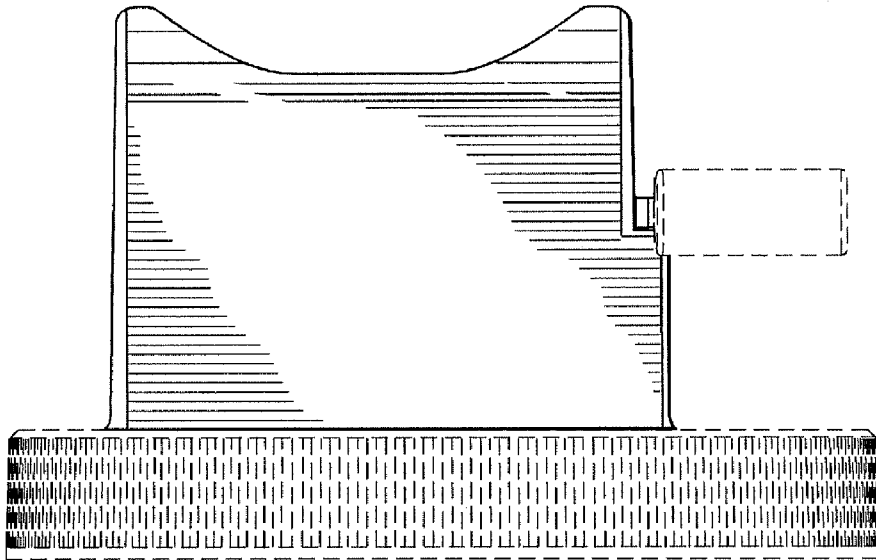


Fig. 4

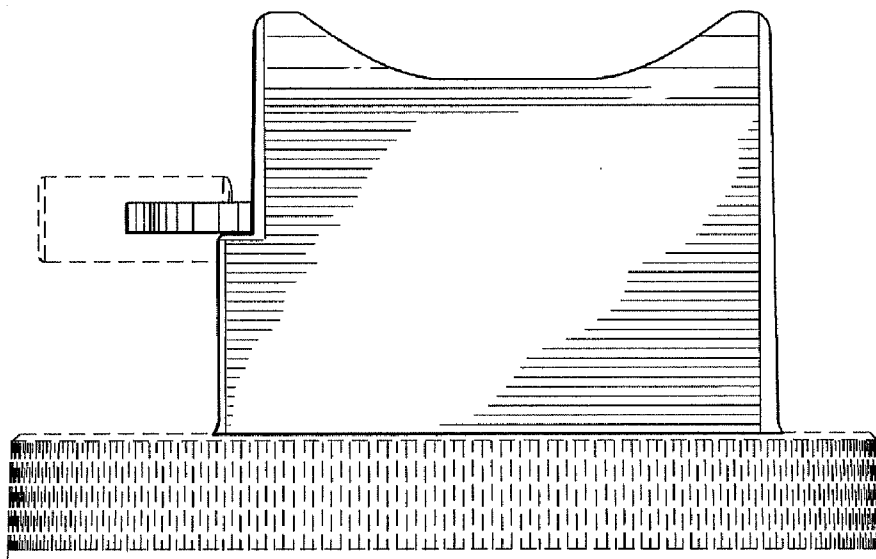


Fig. 5

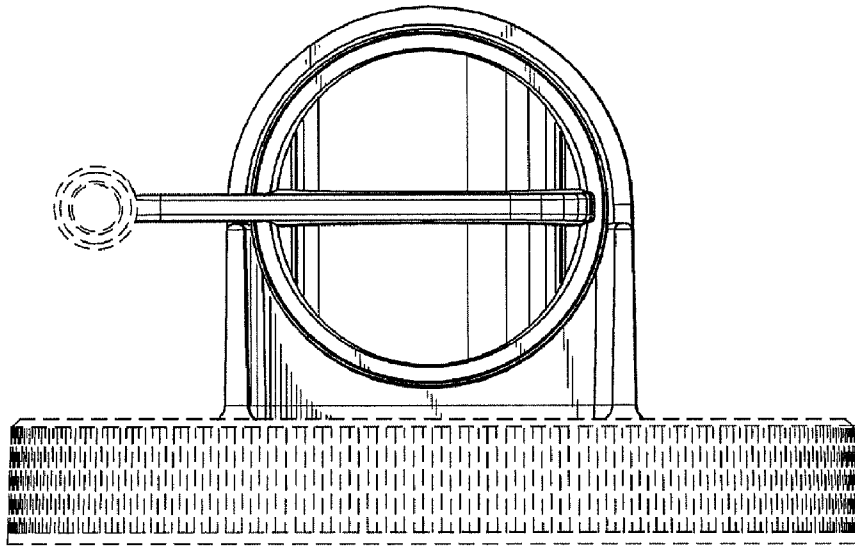


Fig. 6

